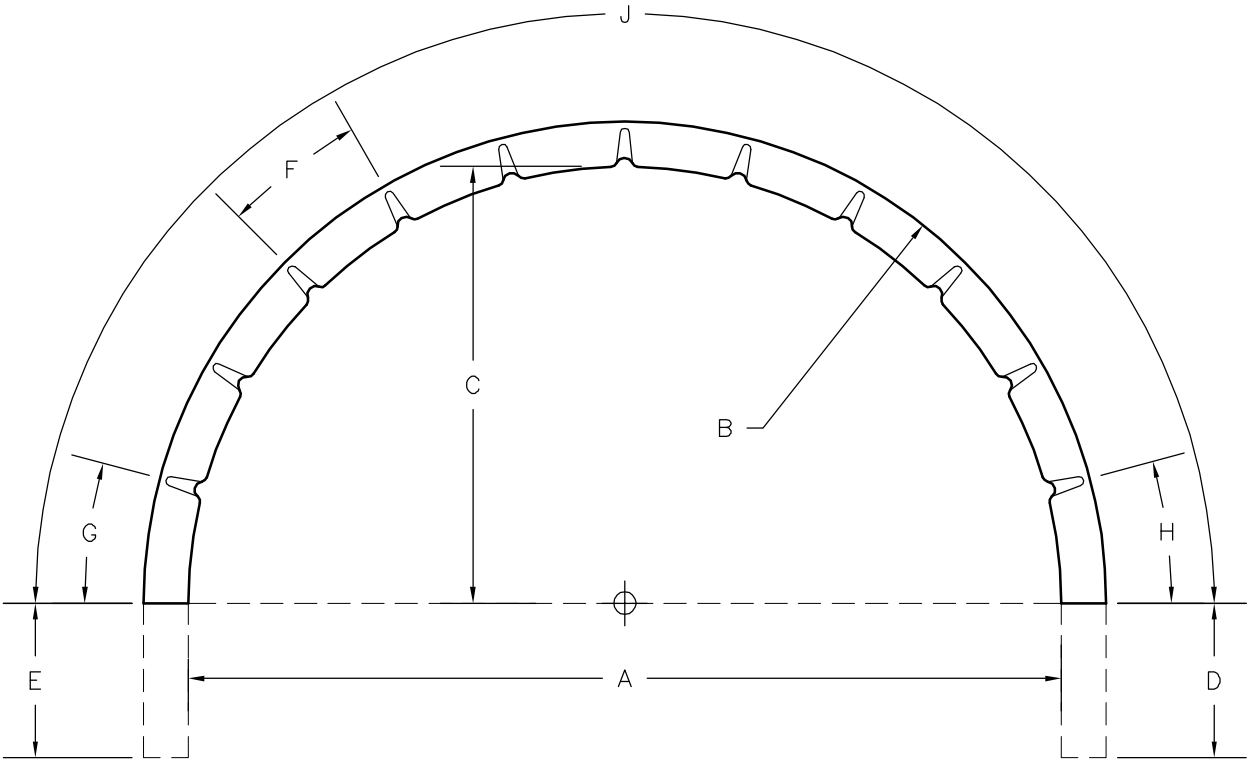


PROJECT:	<u>SYMBOL KEY</u>	DRAWN BY: ECM	REVISION/DATE	
CUSTOMER:	C = COLOR	CHK'D BY:	△	△
MATERIAL: GA. COLOR:	H <sub>B</sub> = HEM BEND	DATE:	△	△
	H <sub>H</sub> = CRV'D HEM			

SENT TO PRODUCTION



- A \_\_\_\_\_ CHORD
- B \_\_\_\_\_ RADIUS
- C \_\_\_\_\_ RISE
- D \_\_\_\_\_ TAIL (OUTSIDE OF ARC)
- E \_\_\_\_\_ TAIL (OUTSIDE OF ARC)
- F \_\_\_\_\_ CRIMP SPACING @ OUTER ARC
- G \_\_\_\_\_ CRIMP TO END OF ARC
- H \_\_\_\_\_ CRIMP TO END OF ARC
- J \_\_\_\_\_ ARC LENGTH
- K \_\_\_\_\_ OVERALL LENGTH

THIS DATA SHEET IS THE PROPERTY OF FLOLINE ARCHITECTURAL SYSTEMS, AND MAY NOT BE USED OR REPRODUCED IN ANY MANNER WITHOUT EXPRESS WRITTEN PERMISSION